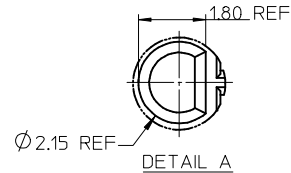
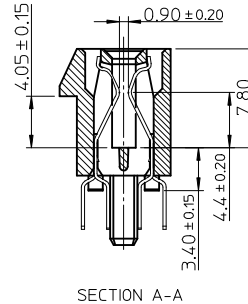
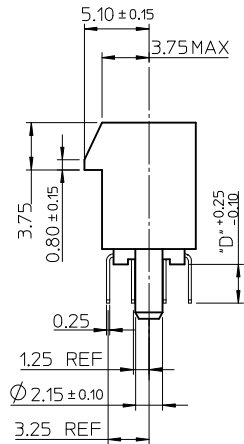
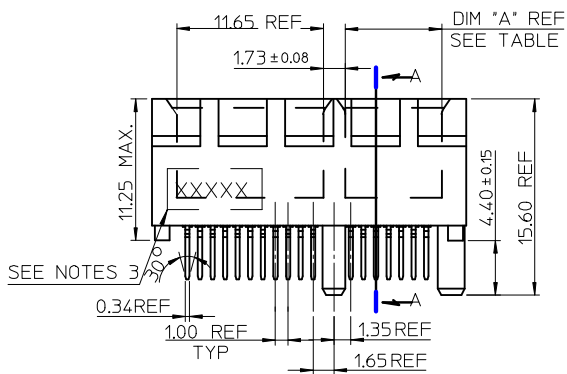
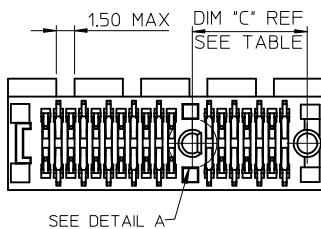


- NOTES:
- MATERIALS:
    - HOUSING: SEE TABLE ,GLASS FIBER FILLED UL94V-0, COLOR: SEE TABLE.
    - CONTACT: SEE TABLE
  - PLATING:
    - CONTACT AREA: GOLD, THICKNESS : SEE TABLE .
    - SOLDER TAIL: 100 MICRINCH MIN. TIN PLATING.
    - UNDER PLATING: NICKEL PLATING OVERALL.
  - WEEK CODE: XX(YEAR) XX(WEEK) X(LOCATION).
  - PRODUCT SPECIFICATION REFER TO PS-87715-200.
  - PACKAGING SPECIFICATION REFER TO PK-87715-207.
  - TEST SUMMARY:REFER TO TS-87715-207.
  - LEAD FREE AND ROHS COMPLIANCE PRODUCT.

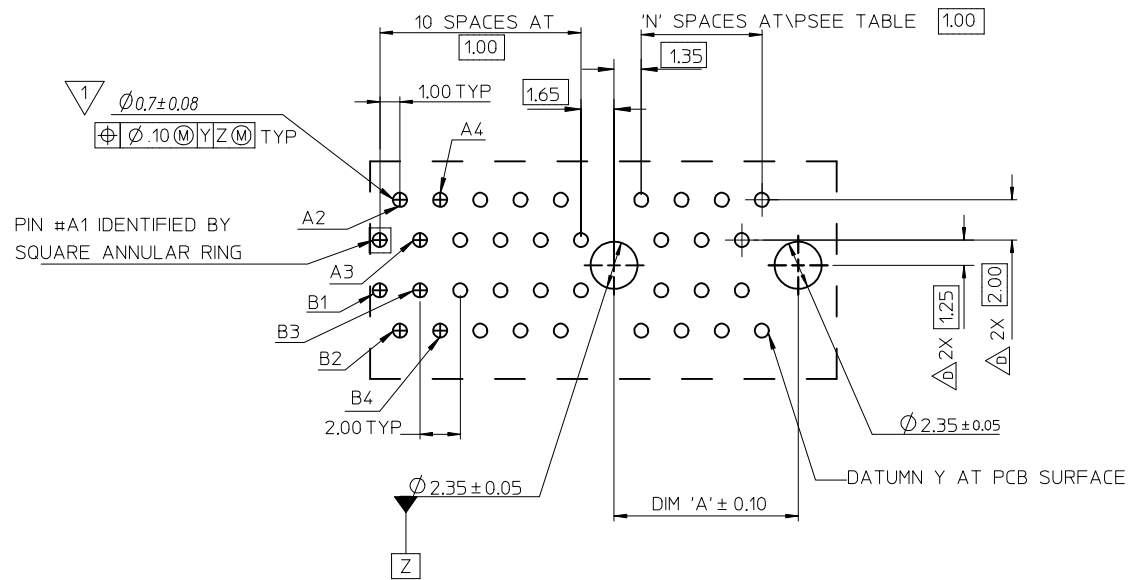


CONNECTOR LINK WIDTH	# POS REF	N	DIM 'A'	DIM 'B'	DIM 'C'
X1	36	6	7.65	25.00	9.15
X4	64	20	21.65	39.00	23.15
X8	98	37	38.65	56.00	40.15
X16	164	70	71.65	89.00	73.15

PCB THK (REF)	DIM 'D'
1.60	2.30
1.58	2.54
2.36	3.00



<b>CORRECT P/N</b> EC NO: SH2009-0199 DRWN:GWANG08 2008/10/13 CHKD:DMZHANG02 2008/10/17 APPR:HMWANG 2008/11/03	QUALITY SYMBOLS ▽=0 ▽=0	GENERAL TOLERANCES (UNLESS SPECIFIED) mm INCH 4 PLACES ± --- ± --- 3 PLACES ± --- ± --- 2 PLACES ± 0.25 ± --- 1 PLACE ± 0.25 ± --- ANGULAR ± 3 °	DIMENSION STYLE <b>MM ONLY</b> DRAWN BY: TOM DATE: 2004/07/20 CHECKED BY: ALLEN LIN DATE: 2004/07/20 APPROVED BY: WILSON DATE: 2004/07/20 MATERIAL NO. SEE TABLE	SCALE: DESIGN UNITS: METRIC THIRD ANGLE PROJECTION	TITLE: PCI EXPRESS EDGE CARD CONNECTOR (LEAD FREE VERSION) MOLEX INCORPORATED DOCUMENT NO. SD-87715-207
	DRAFT WHERE APPLICABLE MUST REMAIN WITHIN DIMENSIONS	SIZE: A3 THIS DRAWING CONTAINS INFORMATION THAT IS PROPRIETARY TO MOLEX INCORPORATED AND SHOULD NOT BE USED WITHOUT WRITTEN PERMISSION	SHEET NO. 1 OF 11		



1 THE HORIZONTAL AXIS FOR THE HOLE PATTERN IS ESTABLISHED BY A LINE THROUGH THE CENTER OF THE TWO  $\varnothing 2.35$  HOLES. THE VERTICAL AXIS IS  $90^\circ$  TO THE HORIZONTAL AXIS, THROUGH THE CENTER OF DATUM Z

CONNECTOR LINK WIDTH	# POS REF	N	DIM 'A'
X1	36	6	9.15
X4	64	20	23.15
X8	98	37	40.15
X16	164	70	73.15

SEE SHEET 1 EC NO: SH2009-0199 DRAWN: GWANG08 CHK'D: DMZHANG02 APPR: HWANG	2008/10/13 2008/10/17 2008/11/03	DESCRIPTION REV	QUALITY SYMBOLS	GENERAL TOLERANCES (UNLESS SPECIFIED)	DIMENSION STYLE	SCALE	DESIGN UNITS	THIRD ANGLE PROJECTION	
			$\blacktriangledown = 0$ $\nabla = 0$	mm    INCH 4 PLACES $\pm$ --- $\pm$ --- 3 PLACES $\pm$ --- $\pm$ --- 2 PLACES $\pm 0.25$ $\pm$ --- 1 PLACE $\pm 0.25$ $\pm$ --- ANGULAR $\pm 3^\circ$	MM ONLY		METRIC		
				DRAFT WHERE APPLICABLE MUST REMAIN WITHIN DIMENSIONS	DRAWN BY: TOM CHECKED BY: ALLEN LIN APPROVED BY: WILSON	DATE: 2004/07/20 DATE: 2004/07/20 DATE: 2004/07/20	TITLE PCI EXPRESS EDGE CARD CONNECTOR (LEAD FREE VERSION)		
					MATERIAL NO. SEE TABLE	DOCUMENT NO. SD-87715-207	MOLEX INCORPORATED SHEET NO. 2 OF 11		

10 9 8 7 6 5 4 3 2 1

F

E

D

C

B

A

F

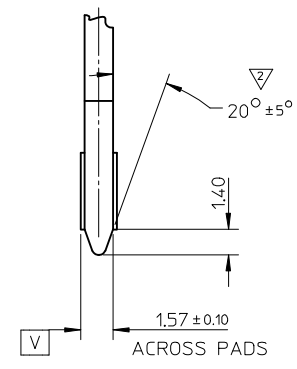
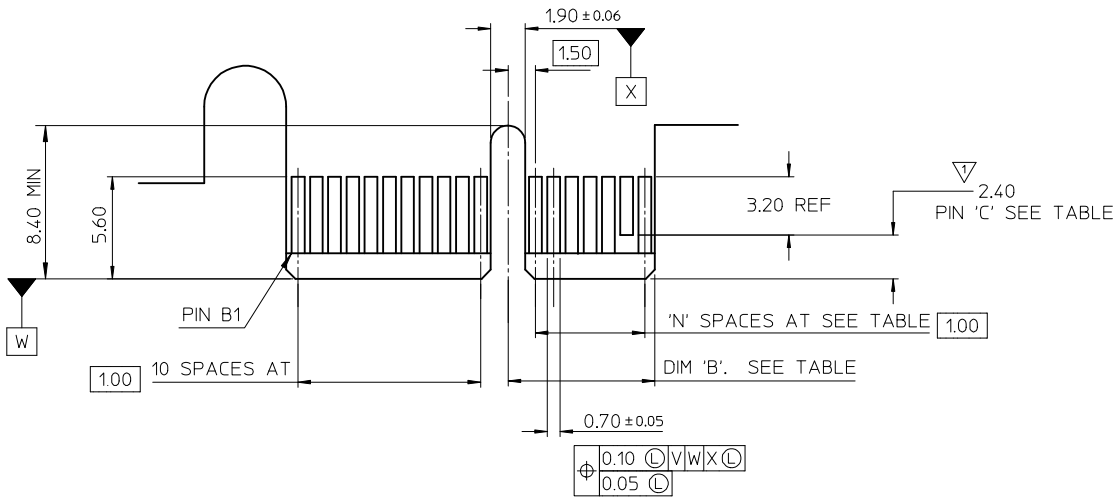
E

D

C

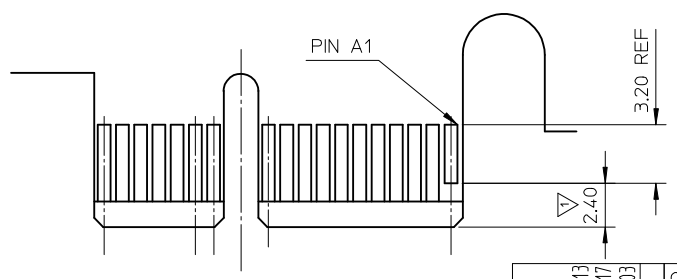
B

A



← I/O PANEL DIRECTION

PRIMARY (COMPONENT) SIDE



I/O PANEL DIRECTION →  
SECONDARY (SOLDER) SIDE

- 1 NO TIE BAR PERMITTED FROM CARD EDGE TO LEADING EDGE OF PAD FOR PINS A1 AND "C".
- 2 CHAMFER EDGES MUST BE FREE OF CUTTING BURRS.
- 3. TOLERANCE: .XX±.13

CONNECTOR LINK WIDTH	# POS REF	N	DIM 'B'	'C'
X1	36	6	8.15	B17
X4	64	20	22.15	B17, B31
X8	98	37	39.15	B17, B31 B48
X16	164	70	72.15	B17, B31 B48, B81

SEE SHEET 1 EC NO: SH2009-0199 DRWING: GWANG08 CHKD: DMZHANG02 APPR: HWANG 2008/10/13 2008/10/17 2008/11/03	QUALITY SYMBOLS	GENERAL TOLERANCES (UNLESS SPECIFIED)	DIMENSION STYLE	SCALE	DESIGN UNITS	THIRD ANGLE PROJECTION	
	= 0 = 0	mm      INCH 4 PLACES ± --- ± --- 3 PLACES ± --- ± --- 2 PLACES ± 0.25 ± --- 1 PLACE ± 0.25 ± --- ANGULAR ± 3 °	MM ONLY	DRAWN BY: TOM DATE: 2004/07/20 CHECKED BY: ALLEN LIN DATE: 2004/07/20 APPROVED BY: WILSON DATE: 2004/07/20	TITLE	PCI EXPRESS EDGE CARD CONNECTOR (LEAD FREE VERSION)	MOLEX INCORPORATED DOCUMENT NO. SD-87715-207 SHEET NO. 3 OF 11
	DRAFT WHERE APPLICABLE MUST REMAIN WITHIN DIMENSIONS	SIZE A3	THIS DRAWING CONTAINS INFORMATION THAT IS PROPRIETARY TO MOLEX INCORPORATED AND SHOULD NOT BE USED WITHOUT WRITTEN PERMISSION				
	REV	DESCRIPTION					

9 8 7 6 5 4 3 2 1

10 9 8 7 6 5 4 3 2 1

MOLEX P/N	CIRCUIT SIZE	HOUSING MATERIAL	HOUSING COLOR	TERMINAL MATERIAL	CONTACT PLATING	SOLDER TAIL 'D' LENGTH	
87715-6000	36	NYLON66	BLACK	PHOSPHOR BRONZE	GOLD FLASH	2.54	
87715-6001					10 MICROINCH		
87715-6002					15 MICROINCH		
87715-6003					GOLD FLASH		
87715-6004					10 MICROINCH		3.00
87715-6005					15 MICROINCH		
87715-6006					30 MICROINCH		2.54
87715-6007					GOLD FLASH		2.30
87715-6008					15 MICROINCH		3.00
87715-6009					30 MICROINCH		2.54
87715-6010	36	NYLON66	WHITE	PHOSPHOR BRONZE	GOLD FLASH	3.00	
87715-6011					10 MICROINCH		
87715-6012					15 MICROINCH		
87715-6013					GOLD FLASH		
87715-6014					10 MICROINCH		2.54
87715-6015					15 MICROINCH		
87715-6016					30 MICROINCH		2.30
87715-6017					GOLD FLASH		2.54
87715-6018					15 MICROINCH		2.30
87715-6020					36		NYLON66
87715-6021	10 MICROINCH						
87715-6022	15 MICROINCH						
87715-6023	GOLD FLASH						
87715-6024	10 MICROINCH	3.00					
87715-6025	15 MICROINCH						
87715-6026	30 MICROINCH	2.54					
87715-6027	GOLD FLASH	2.30					
87715-6028	15 MICROINCH	2.30					
87715-6030	36	NYLON66	GREEN (348C)	PHOSPHOR BRONZE		GOLD FLASH	
87715-6031					10 MICROINCH		
87715-6032					15 MICROINCH		
87715-6033					GOLD FLASH		
87715-6034					10 MICROINCH	3.00	
87715-6035					15 MICROINCH		
87715-6036					30 MICROINCH	2.54	
87715-6037					GOLD FLASH	2.30	
87715-6038					15 MICROINCH	2.30	
87715-6040					36	NYLON66	PURPLE (2736U)
87715-6041	10 MICROINCH						
87715-6042	15 MICROINCH						
87715-6043	GOLD FLASH						
87715-6044	10 MICROINCH	3.00					
87715-6045	15 MICROINCH						
87715-6046	30 MICROINCH	2.54					
87715-6047	GOLD FLASH	2.30					
87715-6048	15 MICROINCH	2.30					

MOLEX P/N	CIRCUIT SIZE	HOUSING MATERIAL	HOUSING COLOR	TERMINAL MATERIAL	CONTACT PLATING	SOLDER TAIL 'D' LENGTH	
87715-6100	64	NYLON66	BLACK	PHOSPHOR BRONZE	GOLD FLASH	2.54	
87715-6101					10 MICROINCH		
87715-6102					15 MICROINCH		
87715-6103					GOLD FLASH		
87715-6104					10 MICROINCH		3.00
87715-6105					15 MICROINCH		
87715-6106					30 MICROINCH		2.54
87715-6107					GOLD FLASH		2.30
87715-6108					15 MICROINCH		3.00
87715-6109					30 MICROINCH		2.54
87715-6110	64	NYLON66	WHITE	PHOSPHOR BRONZE	GOLD FLASH	2.54	
87715-6111					10 MICROINCH		
87715-6112					15 MICROINCH		
87715-6113					GOLD FLASH		
87715-6114					10 MICROINCH		3.00
87715-6115					15 MICROINCH		
87715-6116					30 MICROINCH		2.54
87715-6117					GOLD FLASH		2.30
87715-6118					15 MICROINCH		2.30
87715-6120					64		NYLON66
87715-6121	10 MICROINCH						
87715-6122	15 MICROINCH						
87715-6123	GOLD FLASH						
87715-6124	10 MICROINCH	3.00					
87715-6125	15 MICROINCH						
87715-6126	30 MICROINCH	2.54					
87715-6127	GOLD FLASH	2.30					
87715-6128	15 MICROINCH	2.30					
87715-6130	64	NYLON66	GREEN (348C)	PHOSPHOR BRONZE		GOLD FLASH	
87715-6131					10 MICROINCH		
87715-6132					15 MICROINCH		
87715-6133					GOLD FLASH		
87715-6134					10 MICROINCH	3.00	
87715-6135					15 MICROINCH		
87715-6136					30 MICROINCH	2.54	
87715-6137					GOLD FLASH	2.30	
87715-6138					15 MICROINCH	2.30	
87715-6140					64	NYLON66	PURPLE (2736U)
87715-6141	10 MICROINCH						
87715-6142	15 MICROINCH						
87715-6143	GOLD FLASH						
87715-6144	10 MICROINCH	3.00					
87715-6145	15 MICROINCH						
87715-6146	30 MICROINCH	2.54					
87715-6147	GOLD FLASH	2.30					
87715-6148	15 MICROINCH	2.30					

<b>SEE SHEET 1</b> EC NO: SH2009-0199 DRWN:GWANG08 2008/08/19/17 CHKD:DMZHANG02 APPR:HWANG 2008/11/03 REV	QUALITY SYMBOLS = 0 = 0	GENERAL TOLERANCES (UNLESS SPECIFIED) <table border="1"> <tr><th></th><th>mm</th><th>INCH</th></tr> <tr><td>4 PLACES</td><td>± ---</td><td>± ---</td></tr> <tr><td>3 PLACES</td><td>± ---</td><td>± ---</td></tr> <tr><td>2 PLACES</td><td>± 0.25</td><td>± ---</td></tr> <tr><td>1 PLACE</td><td>± 0.25</td><td>± ---</td></tr> </table> ANGULAR ± 3°		mm	INCH	4 PLACES	± ---	± ---	3 PLACES	± ---	± ---	2 PLACES	± 0.25	± ---	1 PLACE	± 0.25	± ---	DIMENSION STYLE <b>MM ONLY</b> DRAWN BY: TOM DATE: 2004/07/20 CHECKED BY: ALLEN LIN DATE: 2004/07/20 APPROVED BY: WILSON DATE: 2004/07/20	SCALE DESIGN UNITS <b>METRIC</b>	THIRD ANGLE PROJECTION 
		mm	INCH																	
	4 PLACES	± ---	± ---																	
	3 PLACES	± ---	± ---																	
2 PLACES	± 0.25	± ---																		
1 PLACE	± 0.25	± ---																		
DRAFT WHERE APPLICABLE MUST REMAIN WITHIN DIMENSIONS			MATERIAL NO. <b>SEE TABLE</b>	DOCUMENT NO. <b>SD-87715-207</b>	SHEET NO. <b>4 OF 11</b>															
THIS DRAWING CONTAINS INFORMATION THAT IS PROPRIETARY TO MOLEX INCORPORATED AND SHOULD NOT BE USED WITHOUT WRITTEN PERMISSION																				
PCI EXPRESS EDGE CARD CONNECTOR (LEAD FREE VERSION) <b>MOLEX INCORPORATED</b>																				

9 8 7 6 5 4 3 2 1


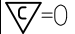
MOLEX P/N	CIRCUIT SIZE	HOUSING MATERIAL	HOUSING COLOR	TERMINAL MATERIAL	CONTACT PLATING	SOLDER TAIL 'D' LENGTH	
87715-6200	98	NYLON66	BLACK	PHOSPHOR BRONZE	GOLD FLASH	2.54	
87715-6201					10 MICROINCH		
87715-6202					15 MICROINCH		
87715-6203					GOLD FLASH		
87715-6204					10 MICROINCH		3.00
87715-6205					15 MICROINCH		
87715-6206					30 MICROINCH		2.54
87715-6207					GOLD FLASH		2.30
87715-6208					15 MICROINCH		
87715-6209					30 MICROINCH		3.00
87715-6210	98	NYLON66	WHITE	PHOSPHOR BRONZE	GOLD FLASH	2.54	
87715-6211					10 MICROINCH		
87715-6212					15 MICROINCH		
87715-6213					GOLD FLASH		
87715-6214					10 MICROINCH		3.00
87715-6215					15 MICROINCH		
87715-6216					30 MICROINCH		2.54
87715-6217					GOLD FLASH		2.30
87715-6218					15 MICROINCH		
87715-6220					98		NYLON66
87715-6221	10 MICROINCH						
87715-6222	15 MICROINCH						
87715-6223	GOLD FLASH						
87715-6224	10 MICROINCH	3.00					
87715-6225	15 MICROINCH						
87715-6226	30 MICROINCH	2.54					
87715-6227	GOLD FLASH	2.30					
87715-6228	15 MICROINCH						
87715-6230	98	NYLON66	GREEN (348C)	PHOSPHOR BRONZE		GOLD FLASH	
87715-6231					10 MICROINCH		
87715-6232					15 MICROINCH		
87715-6233					GOLD FLASH		
87715-6234					10 MICROINCH	3.00	
87715-6235					15 MICROINCH		
87715-6236					30 MICROINCH	2.54	
87715-6237					GOLD FLASH	2.30	
87715-6238					15 MICROINCH		
87715-6240					98	NYLON66	PURPLE (2736U)
87715-6241	10 MICROINCH						
87715-6242	15 MICROINCH						
87715-6243	GOLD FLASH						
87715-6244	10 MICROINCH	3.00					
87715-6245	15 MICROINCH						
87715-6246	30 MICROINCH	2.54					
87715-6247	GOLD FLASH	2.30					
87715-6248	15 MICROINCH						

MOLEX P/N	CIRCUIT SIZE	HOUSING MATERIAL	HOUSING COLOR	TERMINAL MATERIAL	CONTACT PLATING	SOLDER TAIL 'D' LENGTH	
87715-6300	164	NYLON66	BLACK	PHOSPHOR BRONZE	GOLD FLASH	2.54	
87715-6301					10 MICROINCH		
87715-6302					15 MICROINCH		
87715-6303					GOLD FLASH		
87715-6304					10 MICROINCH		3.00
87715-6305					15 MICROINCH		
87715-6306					30 MICROINCH		2.54
87715-6307					GOLD FLASH		2.30
87715-6308					15 MICROINCH		
87715-6309					30 MICROINCH		3.00
87715-6310	164	NYLON66	WHITE	PHOSPHOR BRONZE	GOLD FLASH	2.54	
87715-6311					10 MICROINCH		
87715-6312					15 MICROINCH		
87715-6313					GOLD FLASH		
87715-6314					10 MICROINCH		3.00
87715-6315					15 MICROINCH		
87715-6316					30 MICROINCH		2.54
87715-6317					GOLD FLASH		2.30
87715-6318					15 MICROINCH		
87715-6320					164		NYLON66
87715-6321	10 MICROINCH						
87715-6322	15 MICROINCH						
87715-6323	GOLD FLASH						
87715-6324	10 MICROINCH	3.00					
87715-6325	15 MICROINCH						
87715-6326	30 MICROINCH	2.54					
87715-6327	GOLD FLASH	2.30					
87715-6328	15 MICROINCH						
87715-6330	164	NYLON66	GREEN (348C)	PHOSPHOR BRONZE		GOLD FLASH	
87715-6331					10 MICROINCH		
87715-6332					15 MICROINCH		
87715-6333					GOLD FLASH		
87715-6334					10 MICROINCH	3.00	
87715-6335					15 MICROINCH		
87715-6336					30 MICROINCH	2.54	
87715-6337					GOLD FLASH	2.30	
87715-6338					15 MICROINCH		
87715-6340					164	NYLON66	PURPLE (2736U)
87715-6341	10 MICROINCH						
87715-6342	15 MICROINCH						
87715-6343	GOLD FLASH						
87715-6344	10 MICROINCH	3.00					
87715-6345	15 MICROINCH						
87715-6346	30 MICROINCH	2.54					
87715-6347	GOLD FLASH	2.30					
87715-6348	15 MICROINCH						

2008/10/17

2008/10/17

SEE SHEET 1  
 EC NO: SH2009-0199  
 DRWN:GWANG08 2008/10/13  
 CHKD:DMZHANG02 2008/10/17  
 APPR:HMWANG 2008/11/03

QUALITY SYMBOLS  
 = 0.05  
 = 0.1

GENERAL TOLERANCES (UNLESS SPECIFIED)

	mm	INCH
4 PLACES	± 0.15	± 0.006
3 PLACES	± 0.20	± 0.008
2 PLACES	± 0.25	± 0.010
1 PLACE	± 0.30	± 0.012
ANGULAR ± 3°		

DRAFT WHERE APPLICABLE  
 MUST REMAIN WITHIN DIMENSIONS

DIMENSION STYLE  
**MM ONLY**

DRAWN BY: TOM  
 DATE: 2004/07/20

CHECKED BY: ALLEN LIN  
 DATE: 2004/07/20

APPROVED BY: WILSON  
 DATE: 2004/07/20


MATERIAL NO. SEE TABLE

SCALE: METRIC

DESIGN UNITS: METRIC

THIRD ANGLE PROJECTION

PCI EXPRESS  
 EDGE CARD CONNECTOR  
 (LEAD FREE VERSION)

 MOLEX INCORPORATED

DOCUMENT NO. SD-87715-207

SHEET NO. 5 OF 11

THIS DRAWING CONTAINS INFORMATION THAT IS PROPRIETARY TO MOLEX INCORPORATED AND SHOULD NOT BE USED WITHOUT WRITTEN PERMISSION

MOLEX P/N	CIRCUIT SIZE	HOUSING MATERIAL	HOUSING COLOR	TERMINAL MATERIAL	CONTACT PLATING	SOLDER TAIL 'D' LENGTH	
87715-6400	36	NYLON66	BLACK	BRASS	GOLD FLASH	2.54	
87715-6401					10 MICROINCH		
87715-6402					15 MICROINCH		
87715-6403					GOLD FLASH		
87715-6404					10 MICROINCH		3.00
87715-6405					15 MICROINCH		
87715-6406					30 MICROINCH		2.54
87715-6407					GOLD FLASH		2.30
87715-6408	15 MICROINCH						
87715-6410	36	NYLON66	WHITE	BRASS	GOLD FLASH	2.54	
87715-6411					10 MICROINCH		
87715-6412					15 MICROINCH		
87715-6413					GOLD FLASH		
87715-6414					10 MICROINCH		3.00
87715-6415					15 MICROINCH		
87715-6416					30 MICROINCH		2.54
87715-6417					GOLD FLASH		2.30
87715-6418	15 MICROINCH						
87715-6420	36	NYLON66	BLUE (287U)	BRASS	GOLD FLASH	2.54	
87715-6421					10 MICROINCH		
87715-6422					15 MICROINCH		
87715-6423					GOLD FLASH		
87715-6424					10 MICROINCH		3.00
87715-6425					15 MICROINCH		
87715-6426					30 MICROINCH		2.54
87715-6427					GOLD FLASH		2.30
87715-6428	15 MICROINCH						
87715-6430	36	NYLON66	GREEN (348C)	BRASS	GOLD FLASH	2.54	
87715-6431					10 MICROINCH		
87715-6432					15 MICROINCH		
87715-6433					GOLD FLASH		
87715-6434					10 MICROINCH		3.00
87715-6435					15 MICROINCH		
87715-6436					30 MICROINCH		2.54
87715-6437					GOLD FLASH		2.30
87715-6438	15 MICROINCH						
87715-6440	36	NYLON66	PURPLE (2736U)	BRASS	GOLD FLASH	2.54	
87715-6441					10 MICROINCH		
87715-6442					15 MICROINCH		
87715-6443					GOLD FLASH		
87715-6444					10 MICROINCH		3.00
87715-6445					15 MICROINCH		
87715-6446					30 MICROINCH		2.54
87715-6447					GOLD FLASH		2.30
87715-6448	15 MICROINCH						

MOLEX P/N	CIRCUIT SIZE	HOUSING MATERIAL	HOUSING COLOR	TERMINAL MATERIAL	CONTACT PLATING	SOLDER TAIL 'D' LENGTH	
87715-6500	64	NYLON66	BLACK	BRASS	GOLD FLASH	2.54	
87715-6501					10 MICROINCH		
87715-6502					15 MICROINCH		
87715-6503					GOLD FLASH		
87715-6504					10 MICROINCH		3.00
87715-6505					15 MICROINCH		
87715-6506					30 MICROINCH		2.54
87715-6507					GOLD FLASH		2.30
87715-6508	15 MICROINCH						
87715-6510	64	NYLON66	WHITE	BRASS	GOLD FLASH	2.54	
87715-6511					10 MICROINCH		
87715-6512					15 MICROINCH		
87715-6513					GOLD FLASH		
87715-6514					10 MICROINCH		3.00
87715-6515					15 MICROINCH		
87715-6516					30 MICROINCH		2.54
87715-6517					GOLD FLASH		2.30
87715-6518	15 MICROINCH						
87715-6520	64	NYLON66	BLUE (287U)	BRASS	GOLD FLASH	2.54	
87715-6521					10 MICROINCH		
87715-6522					15 MICROINCH		
87715-6523					GOLD FLASH		
87715-6524					10 MICROINCH		3.00
87715-6525					15 MICROINCH		
87715-6526					30 MICROINCH		2.54
87715-6527					GOLD FLASH		2.30
87715-6528	15 MICROINCH						
87715-6530	64	NYLON66	GREEN (348C)	BRASS	GOLD FLASH	2.54	
87715-6531					10 MICROINCH		
87715-6532					15 MICROINCH		
87715-6533					GOLD FLASH		
87715-6534					10 MICROINCH		3.00
87715-6535					15 MICROINCH		
87715-6536					30 MICROINCH		2.54
87715-6537					GOLD FLASH		2.30
87715-6538	15 MICROINCH						
87715-6540	64	NYLON66	PURPLE (2736U)	BRASS	GOLD FLASH	2.54	
87715-6541					10 MICROINCH		
87715-6542					15 MICROINCH		
87715-6543					GOLD FLASH		
87715-6544					10 MICROINCH		3.00
87715-6545					15 MICROINCH		
87715-6546					30 MICROINCH		2.54
87715-6547					GOLD FLASH		2.30
87715-6548	15 MICROINCH						

SEE SHEET 2008/10/17

EC NO: SH2009-0199 2008/10/13  
 DRWNG:GWANG08 2008/10/17  
 CHK:DMZHANG02 2008/10/17  
 APPR:HWANG 2008/11/03

DESCRIPTION  
 REV

QUALITY SYMBOLS	GENERAL TOLERANCES (UNLESS SPECIFIED)	
	mm	INCH
▽=0	4 PLACES ± ---	± ---
▽=0	3 PLACES ± ---	± ---
	2 PLACES ± 0.25	± ---
	1 PLACE ± 0.25	± ---
	ANGULAR ± 3 °	

DRAFT WHERE APPLICABLE  
 MUST REMAIN  
 WITHIN DIMENSIONS

DIMENSION STYLE	
MM ONLY	
DRAWN BY	DATE
TOM	2004/07/20
CHECKED BY	DATE
ALLEN LIN	2004/07/20
APPROVED BY	DATE
WILSON	2004/07/20
MATERIAL NO.	DOCUMENT NO.
SEE TABLE	SD-87715-207

SCALE: METRIC 2008/10/17

DESIGN UNITS: METRIC

THIRD ANGLE PROJECTION

TITLE: PCI EXPRESS  
 EDGE CARD CONNECTOR  
 (LEAD FREE VERSION)

**molex** MOLEX INCORPORATED

SHEET NO. 6 OF 11

THIS DRAWING CONTAINS INFORMATION THAT IS PROPRIETARY TO MOLEX INCORPORATED AND SHOULD NOT BE USED WITHOUT WRITTEN PERMISSION

MOLEX P/N	CIRCUIT SIZE	HOUSING MATERIAL	HOUSING COLOR	TERMINAL MATERIAL	CONTACT PLATING	SOLDER TAIL 'D' LENGTH	
87715-6600	98	NYLON66	BLACK	BRASS	GOLD FLASH	2.54	
87715-6601					10 MICROINCH		
87715-6602					15 MICROINCH		
87715-6603					GOLD FLASH		3.00
87715-6604					10 MICROINCH		
87715-6605					15 MICROINCH		
87715-6606					30 MICROINCH		2.54
87715-6607					GOLD FLASH		2.30
87715-6608					15 MICROINCH		
87715-6610					98		NYLON66
87715-6611	10 MICROINCH						
87715-6612	15 MICROINCH						
87715-6613	GOLD FLASH	3.00					
87715-6614	10 MICROINCH						
87715-6615	15 MICROINCH						
87715-6616	30 MICROINCH	2.54					
87715-6617	GOLD FLASH	2.30					
87715-6618	15 MICROINCH						
87715-6620	98	NYLON66	BLUE (287U)	BRASS		GOLD FLASH	
87715-6621					10 MICROINCH		
87715-6622					15 MICROINCH		
87715-6623					GOLD FLASH	3.00	
87715-6624					10 MICROINCH		
87715-6625					15 MICROINCH		
87715-6626					30 MICROINCH	2.54	
87715-6627					GOLD FLASH	2.30	
87715-6628					15 MICROINCH		
87715-6630					98	NYLON66	GREEN (348C)
87715-6631	10 MICROINCH						
87715-6632	15 MICROINCH						
87715-6633	GOLD FLASH	3.00					
87715-6634	10 MICROINCH						
87715-6635	15 MICROINCH						
87715-6636	30 MICROINCH	2.54					
87715-6637	GOLD FLASH	2.30					
87715-6638	15 MICROINCH						
87715-6640	98	NYLON66	PURPLE (2736U)	BRASS			
87715-6641					10 MICROINCH		
87715-6642					15 MICROINCH		
87715-6643					GOLD FLASH	3.00	
87715-6644					10 MICROINCH		
87715-6645					15 MICROINCH		
87715-6646					30 MICROINCH	2.54	
87715-6647					GOLD FLASH	2.30	
87715-6648					15 MICROINCH		

MOLEX P/N	CIRCUIT SIZE	HOUSING MATERIAL	HOUSING COLOR	TERMINAL MATERIAL	CONTACT PLATING	SOLDER TAIL 'D' LENGTH	
87715-6700	164	NYLON66	BLACK	BRASS	GOLD FLASH	2.54	
87715-6701					10 MICROINCH		
87715-6702					15 MICROINCH		
87715-6703					GOLD FLASH		3.00
87715-6704					10 MICROINCH		
87715-6705					15 MICROINCH		
87715-6706					30 MICROINCH		2.54
87715-6707					GOLD FLASH		2.30
87715-6708					15 MICROINCH		
87715-6710					164		NYLON66
87715-6711	10 MICROINCH						
87715-6712	15 MICROINCH						
87715-6713	GOLD FLASH	3.00					
87715-6714	10 MICROINCH						
87715-6715	15 MICROINCH						
87715-6716	30 MICROINCH	2.54					
87715-6717	GOLD FLASH	2.30					
87715-6718	15 MICROINCH						
87715-6720	164	NYLON66	BLUE (287U)	BRASS		GOLD FLASH	
87715-6721					10 MICROINCH		
87715-6722					15 MICROINCH		
87715-6723					GOLD FLASH	3.00	
87715-6724					10 MICROINCH		
87715-6725					15 MICROINCH		
87715-6726					30 MICROINCH	2.54	
87715-6727					GOLD FLASH	2.30	
87715-6728					15 MICROINCH		
87715-6730					164	NYLON66	GREEN (348C)
87715-6731	10 MICROINCH						
87715-6732	15 MICROINCH						
87715-6733	GOLD FLASH	3.00					
87715-6734	10 MICROINCH						
87715-6735	15 MICROINCH						
87715-6736	30 MICROINCH	2.54					
87715-6737	GOLD FLASH	2.30					
87715-6738	15 MICROINCH						
87715-6740	164	NYLON66	PURPLE (2736U)	BRASS			
87715-6741					10 MICROINCH		
87715-6742					15 MICROINCH		
87715-6743					GOLD FLASH	3.00	
87715-6744					10 MICROINCH		
87715-6745					15 MICROINCH		
87715-6746					30 MICROINCH	2.54	
87715-6747					GOLD FLASH	2.30	
87715-6748					15 MICROINCH		

SEE SHEET 2008/10/17  
 EC NO: SH2009-0199  
 DRWN: GWANG08 2008/10/13  
 CH'KD: DMZHANG02 2008/10/17  
 APPR: HWANG 2008/11/03

QUALITY SYMBOLS	GENERAL TOLERANCES (UNLESS SPECIFIED)	
	mm	INCH
▽=0	4 PLACES ± ---	± ---
▽=0	3 PLACES ± ---	± ---
	2 PLACES ± 0.25	± ---
	1 PLACE ± 0.25	± ---
	ANGULAR ± 3 °	

DIMENSION STYLE		SCALE	DESIGN UNITS
MM ONLY			METRIC
DRAWN BY	DATE	TITLE	
TOM	2004/07/20	PCI EXPRESS	
CHECKED BY	DATE	EDGE CARD CONNECTOR	
ALLEN LIN	2004/07/20	(LEAD FREE VERSION)	
APPROVED BY	DATE	MOLEX INCORPORATED	
WILSON	2004/07/20	MOLEX INCORPORATED	
MATERIAL NO.	DOCUMENT NO.	SHEET NO.	
SEE TABLE	SD-87715-207	7 OF 11	

THIRD ANGLE PROJECTION

THIS DRAWING CONTAINS INFORMATION THAT IS PROPRIETARY TO MOLEX INCORPORATED AND SHOULD NOT BE USED WITHOUT WRITTEN PERMISSION

MOLEX P/N	CIRCUIT SIZE	HOUSING MATERIAL	HOUSING COLOR	TERMINAL MATERIAL	CONTACT PLATING	SOLDER TAIL 'D' LENGTH	
87715-9000	36	NYLON46	BLACK	PHOSPHOR BRONZE	GOLD FLASH	2.54	
87715-9001					10 MICROINCH		
87715-9002					15 MICROINCH		
87715-9003					GOLD FLASH		
87715-9004					10 MICROINCH		3.00
87715-9005					15 MICROINCH		
87715-9006					30 MICROINCH		2.54
87715-9007					GOLD FLASH		2.30
87715-9008					15 MICROINCH		
87715-9009	30 MICROINCH	3.00					
87715-9010	36	NYLON46	WHITE	PHOSPHOR BRONZE	GOLD FLASH	2.54	
87715-9011					10 MICROINCH		
87715-9012					15 MICROINCH		
87715-9013					GOLD FLASH		
87715-6014					10 MICROINCH		3.00
87715-9015					15 MICROINCH		
87715-9016					30 MICROINCH		2.54
87715-9017					GOLD FLASH		2.30
87715-9018					15 MICROINCH		
87715-9020	36	NYLON46	BLUE (287U)	PHOSPHOR BRONZE	GOLD FLASH	2.54	
87715-9021					10 MICROINCH		
87715-9022					15 MICROINCH		
87715-9023					GOLD FLASH		
87715-9024					10 MICROINCH		3.00
87715-9025					15 MICROINCH		
87715-9026					30 MICROINCH		2.54
87715-9027					GOLD FLASH		2.30
87715-9028					15 MICROINCH		
87715-9030	36	NYLON46	GREEN (348C)	PHOSPHOR BRONZE	GOLD FLASH	2.54	
87715-9031					10 MICROINCH		
87715-9032					15 MICROINCH		
87715-9033					GOLD FLASH		
87715-9034					10 MICROINCH		3.00
87715-9035					15 MICROINCH		
87715-9036					30 MICROINCH		2.54
87715-9037					GOLD FLASH		2.30
87715-9038					15 MICROINCH		
87715-9040	36	NYLON46	PURPLE (2736U)	PHOSPHOR BRONZE	GOLD FLASH	2.54	
87715-9041					10 MICROINCH		
87715-9042					15 MICROINCH		
87715-9043					GOLD FLASH		
87715-9044					10 MICROINCH		3.00
87715-9045					15 MICROINCH		
87715-9046					30 MICROINCH		2.54
87715-9047					GOLD FLASH		2.30
87715-9048					15 MICROINCH		

MOLEX P/N	CIRCUIT SIZE	HOUSING MATERIAL	HOUSING COLOR	TERMINAL MATERIAL	CONTACT PLATING	SOLDER TAIL 'D' LENGTH	
87715-9100	64	NYLON46	BLACK	PHOSPHOR BRONZE	GOLD FLASH	2.54	
87715-9101					10 MICROINCH		
87715-9102					15 MICROINCH		
87715-9103					GOLD FLASH		
87715-9104					10 MICROINCH		3.00
87715-9105					15 MICROINCH		
87715-9106					30 MICROINCH		2.54
87715-9107					GOLD FLASH		2.30
87715-9108					15 MICROINCH		
87715-9109	30 MICROINCH	3.00					
87715-9110	64	NYLON46	WHITE	PHOSPHOR BRONZE	GOLD FLASH	2.54	
87715-9111					10 MICROINCH		
87715-9112					15 MICROINCH		
87715-9113					GOLD FLASH		
87715-9114					10 MICROINCH		3.00
87715-9115					15 MICROINCH		
87715-9116					30 MICROINCH		2.54
87715-9117					GOLD FLASH		2.30
87715-9118					15 MICROINCH		
87715-9120	64	NYLON46	BLUE (287U)	PHOSPHOR BRONZE	GOLD FLASH	2.54	
87715-9121					10 MICROINCH		
87715-9122					15 MICROINCH		
87715-9123					GOLD FLASH		
87715-9124					10 MICROINCH		3.00
87715-9125					15 MICROINCH		
87715-9126					30 MICROINCH		2.54
87715-9127					GOLD FLASH		2.30
87715-9128					15 MICROINCH		
87715-9130	64	NYLON46	GREEN (348C)	PHOSPHOR BRONZE	GOLD FLASH	2.54	
87715-9131					10 MICROINCH		
87715-9132					15 MICROINCH		
87715-9133					GOLD FLASH		
87715-9134					10 MICROINCH		3.00
87715-9135					15 MICROINCH		
87715-9136					30 MICROINCH		2.54
87715-9137					GOLD FLASH		2.30
87715-9138					15 MICROINCH		
87715-9140	64	NYLON46	PURPLE (2736U)	PHOSPHOR BRONZE	GOLD FLASH	2.54	
87715-9141					10 MICROINCH		
87715-9142					15 MICROINCH		
87715-9143					GOLD FLASH		
87715-9144					10 MICROINCH		3.00
87715-9145					15 MICROINCH		
87715-9146					30 MICROINCH		2.54
87715-9147					GOLD FLASH		2.30
87715-9148					15 MICROINCH		

SEE SHEET 2008/10/17

EC NO: SH2009-0199 2008/10/13  
 DRW:GMANG08 2008/10/17  
 CHK:DMZHANG02 2008/10/17  
 APPR:HWANG 2008/11/03

REV DESCRIPTION

QUALITY SYMBOLS	GENERAL TOLERANCES (UNLESS SPECIFIED)	
	mm	INCH
	± ---	± ---
	± ---	± ---
	± 0.25	± ---
	± 0.25	± ---
	ANGULAR ± 3 °	

DRAFT WHERE APPLICABLE  
MUST REMAIN  
WITHIN DIMENSIONS

DIMENSION STYLE		SCALE	DESIGN UNITS
MM ONLY			METRIC
DRAWN BY	DATE	TITLE	
TOM	2004/07/20	PCI EXPRESS EDGE CARD CONNECTOR (LEAD FREE VERSION)	
CHECKED BY	DATE	MOLEX INCORPORATED	
ALLEN LIN	2004/07/20		
APPROVED BY	DATE	MATERIAL NO. DOCUMENT NO.	
WILSON	2004/07/20	SEE TABLE SD-87715-207	

THIRD ANGLE PROJECTION	
SHEET NO. 8 OF 11	
THIS DRAWING CONTAINS INFORMATION THAT IS PROPRIETARY TO MOLEX INCORPORATED AND SHOULD NOT BE USED WITHOUT WRITTEN PERMISSION	



10 9 8 7 6 5 4 3 2 1

MOLEX P/N	CIRCUIT SIZE	HOUSING MATERIAL	HOUSING COLOR	TERMINAL MATERIAL	CONTACT PLATING	SOLDER TAIL 'D' LENGTH
87715-9200	98	NYLON46	BLACK	PHOSPHOR BRONZE	GOLD FLASH	2.54
87715-9201					10 MICROINCH	
87715-9202					15 MICROINCH	
87715-9203					GOLD FLASH	
87715-9204					10 MICROINCH	
87715-9205					15 MICROINCH	
87715-9206					30 MICROINCH	
87715-9207					GOLD FLASH	
87715-9208					15 MICROINCH	
87715-9209	30 MICROINCH	3.00				
87715-9210	98	NYLON46	WHITE	PHOSPHOR BRONZE	GOLD FLASH	2.54
87715-9211					10 MICROINCH	
87715-9212					15 MICROINCH	
87715-9213					GOLD FLASH	
87715-9214					10 MICROINCH	
87715-9215					15 MICROINCH	
87715-9216					30 MICROINCH	
87715-9217					GOLD FLASH	
87715-9218					15 MICROINCH	
87715-9219	30 MICROINCH	2.30				
87715-9220	98	NYLON46	BLUE (287U)	PHOSPHOR BRONZE	GOLD FLASH	2.54
87715-9221					10 MICROINCH	
87715-9222					15 MICROINCH	
87715-9223					GOLD FLASH	
87715-9224					10 MICROINCH	
87715-9225					15 MICROINCH	
87715-9226					30 MICROINCH	
87715-9227					GOLD FLASH	
87715-9228					15 MICROINCH	
87715-9229	30 MICROINCH	2.54				
87715-9230	98	NYLON46	GREEN (348C)	PHOSPHOR BRONZE	GOLD FLASH	3.00
87715-9231					10 MICROINCH	
87715-9232					15 MICROINCH	
87715-9233					GOLD FLASH	
87715-9234					10 MICROINCH	
87715-9235					15 MICROINCH	
87715-9236					30 MICROINCH	
87715-9237					GOLD FLASH	
87715-9238					15 MICROINCH	
87715-9239	30 MICROINCH	2.54				
87715-9240	98	NYLON46	PURPLE (2736U)	PHOSPHOR BRONZE	GOLD FLASH	2.54
87715-9241					10 MICROINCH	
87715-9242					15 MICROINCH	
87715-9243					GOLD FLASH	
87715-9244					10 MICROINCH	
87715-9245					15 MICROINCH	
87715-9246					30 MICROINCH	
87715-9247					GOLD FLASH	
87715-9248					15 MICROINCH	

MOLEX P/N	CIRCUIT SIZE	HOUSING MATERIAL	HOUSING COLOR	TERMINAL MATERIAL	CONTACT PLATING	SOLDER TAIL 'D' LENGTH
87715-9300	164	NYLON46	BLACK	PHOSPHOR BRONZE	GOLD FLASH	2.54
87715-9301					10 MICROINCH	
87715-9302					15 MICROINCH	
87715-9303					GOLD FLASH	
87715-9304					10 MICROINCH	
87715-9305					15 MICROINCH	
87715-9306					30 MICROINCH	
87715-9307					GOLD FLASH	
87715-9308					15 MICROINCH	
87715-9309	30 MICROINCH	3.00				
87715-9310	164	NYLON46	WHITE	PHOSPHOR BRONZE	GOLD FLASH	2.54
87715-9311					10 MICROINCH	
87715-9312					15 MICROINCH	
87715-9313					GOLD FLASH	
87715-9314					10 MICROINCH	
87715-9315					15 MICROINCH	
87715-9316					30 MICROINCH	
87715-9317					GOLD FLASH	
87715-9318					15 MICROINCH	
87715-9319	30 MICROINCH	2.30				
87715-9320	164	NYLON46	BLUE (287U)	PHOSPHOR BRONZE	GOLD FLASH	2.54
87715-9321					10 MICROINCH	
87715-9322					15 MICROINCH	
87715-9323					GOLD FLASH	
87715-9324					10 MICROINCH	
87715-9325					15 MICROINCH	
87715-9326					30 MICROINCH	
87715-9327					GOLD FLASH	
87715-9328					15 MICROINCH	
87715-9329	30 MICROINCH	2.30				
87715-9330	164	NYLON46	GREEN (348C)	PHOSPHOR BRONZE	GOLD FLASH	2.54
87715-9331					10 MICROINCH	
87715-9332					15 MICROINCH	
87715-9333					GOLD FLASH	
87715-9334					10 MICROINCH	
87715-9335					15 MICROINCH	
87715-9336					30 MICROINCH	
87715-9337					GOLD FLASH	
87715-9338					15 MICROINCH	
87715-9339	30 MICROINCH	2.54				
87715-9340	164	NYLON46	PURPLE (2736U)	PHOSPHOR BRONZE	GOLD FLASH	2.54
87715-9341					10 MICROINCH	
87715-9342					15 MICROINCH	
87715-9343					GOLD FLASH	
87715-9344					10 MICROINCH	
87715-9345					15 MICROINCH	
87715-9346					30 MICROINCH	
87715-9347					GOLD FLASH	
87715-9348					15 MICROINCH	
87715-9349	30 MICROINCH	2.54				
87715-9350	164	NYLON46	BLUE (659C)	PHOSPHOR BRONZE	GOLD FLASH	2.54
87715-9351					15 MICROINCH	
87715-9352	164	NYLON46	BLUE (659C)	PHOSPHOR BRONZE	GOLD FLASH	3.00
87715-9353					15 MICROINCH	

▽

SEE SHEET 1  
 EC NO: SH2009-0199 2008/10/17  
 DRW:GWANG08 2008/10/15  
 CHK:DMZHANG02 2008/10/17  
 APPR:HWANG 2008/11/03

QUALITY SYMBOLS  
 ▽=0  
 ▽=0

GENERAL TOLERANCES (UNLESS SPECIFIED)

	mm	INCH
4 PLACES	± .005	± .0004
3 PLACES	± .005	± .0004
2 PLACES	± 0.25	± .010
1 PLACE	± 0.25	± .010
ANGULAR ± 3 °		

DRAFT WHERE APPLICABLE MUST REMAIN WITHIN DIMENSIONS

DIMENSION STYLE  
**MM ONLY**

SCALE  
 DRAWN BY: TOM DATE: 2004/07/20  
 CHECKED BY: ALLEN LIN DATE: 2004/07/20  
 APPROVED BY: WILSON DATE: 2004/07/20

DESIGN UNITS  
**METRIC**

THIRD ANGLE PROJECTION

PCI EXPRESS  
 EDGE CARD CONNECTOR  
 (LEAD FREE VERSION)

**MOLEX INCORPORATED**

MATERIAL NO. SEE TABLE DOCUMENT NO. SD-87715-207 SHEET NO. 9 OF 11

THIS DRAWING CONTAINS INFORMATION THAT IS PROPRIETARY TO MOLEX INCORPORATED AND SHOULD NOT BE USED WITHOUT WRITTEN PERMISSION

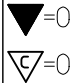
9 8 7 6 5 4 3 2 1

MOLEX P/N	CIRCUIT SIZE	HOUSING MATERIAL	HOUSING COLOR	TERMINAL MATERIAL	CONTACT PLATING	SOLDER TAIL 'D' LENGTH	
87715-9400	36	NYLON46	BLACK	BRASS	GOLD FLASH	2.54	
87715-9401					10 MICROINCH		
87715-9402					15 MICROINCH		
87715-9403					GOLD FLASH		
87715-9404					10 MICROINCH		3.00
87715-9405					15 MICROINCH		
87715-9406					30 MICROINCH		2.54
87715-9407					GOLD FLASH		
87715-9408	15 MICROINCH	2.30					
87715-9410	36	NYLON46	WHITE	BRASS	GOLD FLASH	2.54	
87715-9411					10 MICROINCH		
87715-9412					15 MICROINCH		
87715-9413					GOLD FLASH		
87715-9414					10 MICROINCH		3.00
87715-9415					15 MICROINCH		
87715-9416					30 MICROINCH		2.54
87715-9417					GOLD FLASH		
87715-9418	15 MICROINCH	2.30					
87715-9420	36	NYLON46	BLUE (287U)	BRASS	GOLD FLASH	2.54	
87715-9421					10 MICROINCH		
87715-9422					15 MICROINCH		
87715-9423					GOLD FLASH		
87715-9424					10 MICROINCH		3.00
87715-9425					15 MICROINCH		
87715-9426					30 MICROINCH		2.54
87715-9427					GOLD FLASH		
87715-9428	15 MICROINCH	2.30					
87715-9430	36	NYLON46	GREEN (348C)	BRASS	GOLD FLASH	2.54	
87715-9431					10 MICROINCH		
87715-9432					15 MICROINCH		
87715-9433					GOLD FLASH		
87715-9434					10 MICROINCH		3.00
87715-9435					15 MICROINCH		
87715-9436					30 MICROINCH		2.54
87715-9437					GOLD FLASH		
87715-9438	15 MICROINCH	2.30					
87715-9440	36	NYLON46	PURPLE (2736U)	BRASS	GOLD FLASH	2.54	
87715-9441					10 MICROINCH		
87715-9442					15 MICROINCH		
87715-9443					GOLD FLASH		
87715-9444					10 MICROINCH		3.00
87715-9445					15 MICROINCH		
87715-9446					30 MICROINCH		2.54
87715-9447					GOLD FLASH		
87715-9448	15 MICROINCH	2.30					

MOLEX P/N	CIRCUIT SIZE	HOUSING MATERIAL	HOUSING COLOR	TERMINAL MATERIAL	CONTACT PLATING	SOLDER TAIL 'D' LENGTH	
87715-9500	64	NYLON46	BLACK	BRASS	GOLD FLASH	2.54	
87715-9501					10 MICROINCH		
87715-9502					15 MICROINCH		
87715-9503					GOLD FLASH		
87715-9504					10 MICROINCH		3.00
87715-9505					15 MICROINCH		
87715-9506					30 MICROINCH		2.54
87715-9507					GOLD FLASH		
87715-9508	15 MICROINCH	2.30					
87715-9510	64	NYLON46	WHITE	BRASS	GOLD FLASH	2.54	
87715-9511					10 MICROINCH		
87715-9512					15 MICROINCH		
87715-9513					GOLD FLASH		
87715-9514					10 MICROINCH		3.00
87715-9515					15 MICROINCH		
87715-9516					30 MICROINCH		2.54
87715-9517					GOLD FLASH		
87715-9518	15 MICROINCH	2.30					
87715-9520	64	NYLON46	BLUE (287U)	BRASS	GOLD FLASH	2.54	
87715-9521					10 MICROINCH		
87715-9522					15 MICROINCH		
87715-9523					GOLD FLASH		
87715-9524					10 MICROINCH		3.00
87715-9525					15 MICROINCH		
87715-9526					30 MICROINCH		2.54
87715-9527					GOLD FLASH		
87715-9528	15 MICROINCH	2.30					
87715-9530	64	NYLON46	GREEN (348C)	BRASS	GOLD FLASH	2.54	
87715-9531					10 MICROINCH		
87715-9532					15 MICROINCH		
87715-9533					GOLD FLASH		
87715-9534					10 MICROINCH		3.00
87715-9535					15 MICROINCH		
87715-9536					30 MICROINCH		2.54
87715-9537					GOLD FLASH		
87715-9538	15 MICROINCH	2.30					
87715-9540	64	NYLON46	PURPLE (2736U)	BRASS	GOLD FLASH	2.54	
87715-9541					10 MICROINCH		
87715-9542					15 MICROINCH		
87715-9543					GOLD FLASH		
87715-9544					10 MICROINCH		3.00
87715-9545					15 MICROINCH		
87715-9546					30 MICROINCH		2.54
87715-9547					GOLD FLASH		
87715-9548	15 MICROINCH	2.30					

SEE SHEET 1 2008/10/17

EC NO: SH2009-0199 2008/10/13  
 TDRW:GWANG08 2008/10/17  
 CHKD:DMZHANG02 2008/10/17  
 APPR:HWANG 2008/11/03

QUALITY SYMBOLS  


GENERAL TOLERANCES (UNLESS SPECIFIED)

	mm	INCH
4 PLACES	± ---	± ---
3 PLACES	± ---	± ---
2 PLACES	± 0.25	± ---
1 PLACE	± 0.25	± ---
ANGULAR ± 3 °		

DRAFT WHERE APPLICABLE MUST REMAIN WITHIN DIMENSIONS

DIMENSION STYLE: MM ONLY

SCALE: DRAWN BY: TOM, DATE: 2004/07/20

CHECKED BY: ALLEN LIN, DATE: 2004/07/20

APPROVED BY: WILSON, DATE: 2004/07/20

MATERIAL NO. SEE TABLE

SCALE: DESIGN UNITS: METRIC

THIRD ANGLE PROJECTION

TITLE: PCI EXPRESS EDGE CARD CONNECTOR (LEAD FREE VERSION)

MOLEX INCORPORATED

DOCUMENT NO. SD-87715-207

SHEET NO. 10 OF 11

THIS DRAWING CONTAINS INFORMATION THAT IS PROPRIETARY TO MOLEX INCORPORATED AND SHOULD NOT BE USED WITHOUT WRITTEN PERMISSION

MOLEX P/N	CIRCUIT SIZE	HOUSING MATERIAL	HOUSING COLOR	TERMINAL MATERIAL	CONTACT PLATING	SOLDER TAIL 'D' LENGTH	
87715-9600	98	NYLON46	BLACK	BRASS	GOLD FLASH	2.54	
87715-9601					10 MICROINCH		
87715-9602					15 MICROINCH		
87715-9603					GOLD FLASH		
87715-9604					10 MICROINCH		3.00
87715-9605					15 MICROINCH		
87715-9606					30 MICROINCH		2.54
87715-9607					GOLD FLASH		2.30
87715-9608	15 MICROINCH						
87715-9610	98	NYLON46	WHITE	BRASS	GOLD FLASH	2.54	
87715-9611					10 MICROINCH		
87715-9612					15 MICROINCH		
87715-9613					GOLD FLASH		
87715-9614					10 MICROINCH		3.00
87715-9615					15 MICROINCH		
87715-9616					30 MICROINCH		2.54
87715-9617					GOLD FLASH		2.30
87715-9618	15 MICROINCH						
87715-9620	98	NYLON46	BLUE (287U)	BRASS	GOLD FLASH	2.54	
87715-9621					10 MICROINCH		
87715-9622					15 MICROINCH		
87715-9623					GOLD FLASH		
87715-9624					10 MICROINCH		3.00
87715-9625					15 MICROINCH		
87715-9626					30 MICROINCH		2.54
87715-9627					GOLD FLASH		2.30
87715-9628	15 MICROINCH						
87715-9630	98	NYLON46	GREEN (348C)	BRASS	GOLD FLASH	2.54	
87715-9631					10 MICROINCH		
87715-9632					15 MICROINCH		
87715-9633					GOLD FLASH		
87715-9634					10 MICROINCH		3.00
87715-9635					15 MICROINCH		
87715-9636					30 MICROINCH		2.54
87715-9637					GOLD FLASH		2.30
87715-9638	15 MICROINCH						
87715-9640	98	NYLON46	PURPLE (2736U)	BRASS	GOLD FLASH	2.54	
87715-9641					10 MICROINCH		
87715-9642					15 MICROINCH		
87715-9643					GOLD FLASH		
87715-9644					10 MICROINCH		3.00
87715-9645					15 MICROINCH		
87715-9646					30 MICROINCH		2.54
87715-9647					GOLD FLASH		2.30
87715-9648	15 MICROINCH						

MOLEX P/N	CIRCUIT SIZE	HOUSING MATERIAL	HOUSING COLOR	TERMINAL MATERIAL	CONTACT PLATING	SOLDER TAIL 'D' LENGTH	
87715-9700	164	NYLON46	BLACK	BRASS	GOLD FLASH	2.54	
87715-9701					10 MICROINCH		
87715-9702					15 MICROINCH		
87715-9703					GOLD FLASH		
87715-9704					10 MICROINCH		3.00
87715-9705					15 MICROINCH		
87715-9706					30 MICROINCH		2.54
87715-9707					GOLD FLASH		2.30
87715-9708	15 MICROINCH						
87715-9710	164	NYLON46	WHITE	BRASS	GOLD FLASH	2.54	
87715-9711					10 MICROINCH		
87715-9712					15 MICROINCH		
87715-9713					GOLD FLASH		
87715-9714					10 MICROINCH		3.00
87715-9715					15 MICROINCH		
87715-9716					30 MICROINCH		2.54
87715-9717					GOLD FLASH		2.30
87715-9718	15 MICROINCH						
87715-9720	164	NYLON46	BLUE (287U)	BRASS	GOLD FLASH	2.54	
87715-9721					10 MICROINCH		
87715-9722					15 MICROINCH		
87715-9723					GOLD FLASH		
87715-9724					10 MICROINCH		3.00
87715-9725					15 MICROINCH		
87715-9726					30 MICROINCH		2.54
87715-9727					GOLD FLASH		2.30
87715-9728	15 MICROINCH						
87715-9730	164	NYLON46	GREEN (348C)	BRASS	GOLD FLASH	2.54	
87715-9731					10 MICROINCH		
87715-9732					15 MICROINCH		
87715-9733					GOLD FLASH		
87715-9734					10 MICROINCH		3.00
87715-9735					15 MICROINCH		
87715-9736					30 MICROINCH		2.54
87715-9737					GOLD FLASH		2.30
87715-9738	15 MICROINCH						
87715-9740	164	NYLON46	PURPLE (2736U)	BRASS	GOLD FLASH	2.54	
87715-9741					10 MICROINCH		
87715-9742					15 MICROINCH		
87715-9743					GOLD FLASH		
87715-9744					10 MICROINCH		3.00
87715-9745					15 MICROINCH		
87715-9746					30 MICROINCH		2.54
87715-9747					GOLD FLASH		2.30
87715-9748	15 MICROINCH						

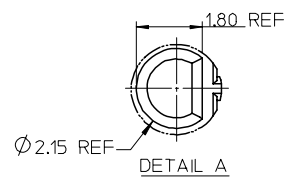
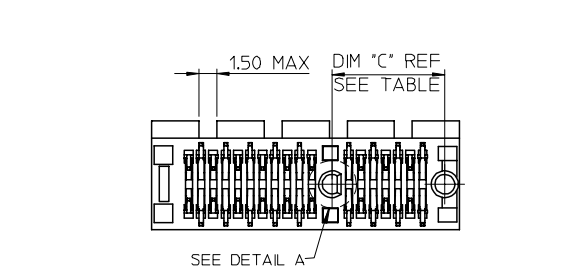
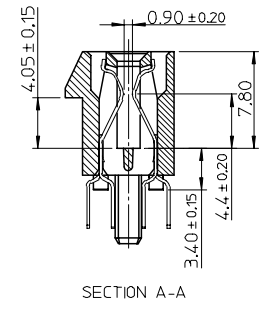
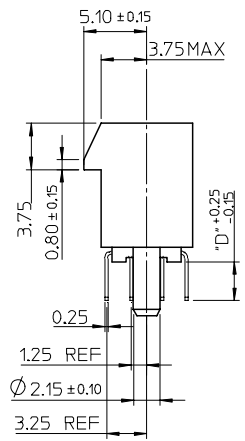
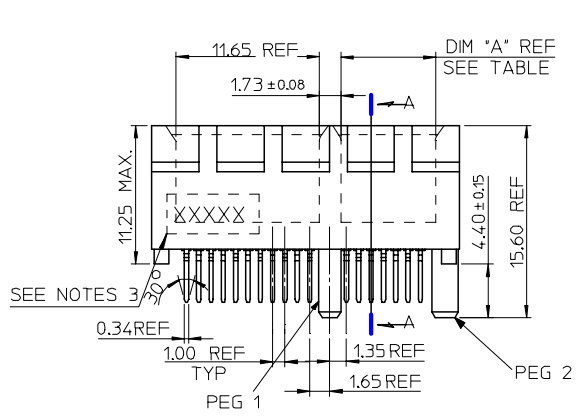
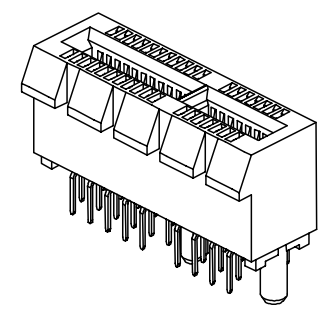
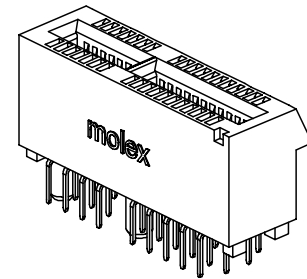
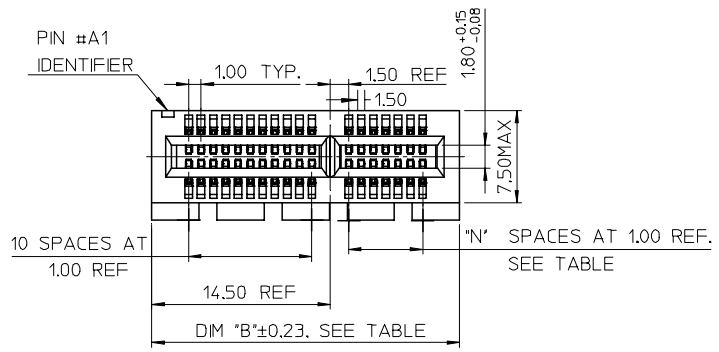
SEE SHEET 1 2008/10/17  
 EC NO: SH2009-0199 2008/10/13  
 T DRIVINGWANG08 2008/10/17  
 CHKD:DMZHANG02 2008/10/17  
 APPR:HWANG 2008/11/03

QUALITY SYMBOLS	DESCRIPTION
	=0
	=0

GENERAL TOLERANCES (UNLESS SPECIFIED)	DIMENSION STYLE	
	mm	INCH
4 PLACES	± ---	± ---
3 PLACES	± ---	± ---
2 PLACES	± 0.25	± ---
1 PLACE	± 0.25	± ---
ANGULAR ± 3 °		
DRAFT WHERE APPLICABLE MUST REMAIN WITHIN DIMENSIONS		

DIMENSION STYLE		SCALE	DESIGN UNITS
MM ONLY			METRIC
DRAWN BY	DATE	TITLE	
TOM	2004/07/20	PCI EXPRESS	
CHECKED BY	DATE	EDGE CARD CONNECTOR	
ALLEN LIN	2004/07/20	(LEAD FREE VERSION)	
APPROVED BY	DATE	MOLEX INCORPORATED	
WILSON	2004/07/20	DOCUMENT NO. SD-87715-207	
MATERIAL NO.		SHEET NO. 11 OF 11	

THIRD ANGLE PROJECTION	
PCI EXPRESS	
EDGE CARD CONNECTOR	
(LEAD FREE VERSION)	
MOLEX INCORPORATED	
DOCUMENT NO. SD-87715-207	
SHEET NO. 11 OF 11	
THIS DRAWING CONTAINS INFORMATION THAT IS PROPRIETARY TO MOLEX INCORPORATED AND SHOULD NOT BE USED WITHOUT WRITTEN PERMISSION	



- NOTES:
- 1.MATERIALS:
    - 1-1.HOUSING: SEE TABLE ,GLASS FIBER FILLED UL94V-0, COLOR: SEE TABLE.
    - 1-2.CONTACT: SEE TABLE
  - 2.PLATING:
    - 2-1.CONTACT AREA: GOLD, THICKNESS : SEE TABLE .
    - 2-2.SOLDER TAIL: 100 MICRINCH MIN. TIN PLATING.
    - 2-3.UNDER PLATING: NICKEL PLATING OVERALL.
  - 3.DATE CODE: YY MM DD.
  - 4.PRODUCT SPECIFICATION REFER TO PS-87715-200.
  - 5.TEST SUMMARY:REFER TO TS-87715-207.

CONNECTOR LINK WIDTH	# POS REF	N	DIM 'A'	DIM 'B'	DIM 'C'
X1	36	6	7.65	25.00	9.15
X16	164	70	71.65	89.00	73.15

PCB THK (REF)	DIM 'D'
1.58	2.54
2.36	3.00

NEW RELEASE EC NO: SH2008-0170 DRWN:DRU CHKD:ROST ZHANG APPR:HWANG	2007/10/15 2007/10/15 2007/11/13	QUALITY SYMBOLS	GENERAL TOLERANCES (UNLESS SPECIFIED)	DIMENSION STYLE	SCALE	DESIGN UNITS	THIRD ANGLE PROJECTION
		▽=0 ▽=0	mm      INCH	MM ONLY		METRIC	
		DESCRIPTION	4 PLACES ± --- ± --- 3 PLACES ± --- ± --- 2 PLACES ± 0.25 ± --- 1 PLACE ± 0.25 ± --- ANGULAR ± 3 °	DRAWN BY      DATE DAVID HU      2007/05/14 CHECKED BY      DATE HARVEY      2007/05/14 APPROVED BY      DATE JENNY CHEN      2007/05/14	TITLE	PCI EXPRESS EDGE CARD CONNECTOR (LEAD FREE VERSION)	
		REV	DRAFT WHERE APPLICABLE MUST REMAIN WITHIN DIMENSIONS	MATERIAL NO. SEE TABLE	DOCUMENT NO. SD-87715-901	SHEET NO. 1 OF 4	



10 9 8 7 6 5 4 3 2 1

F

E

D

C

B

A

F

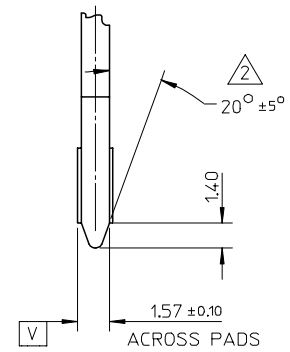
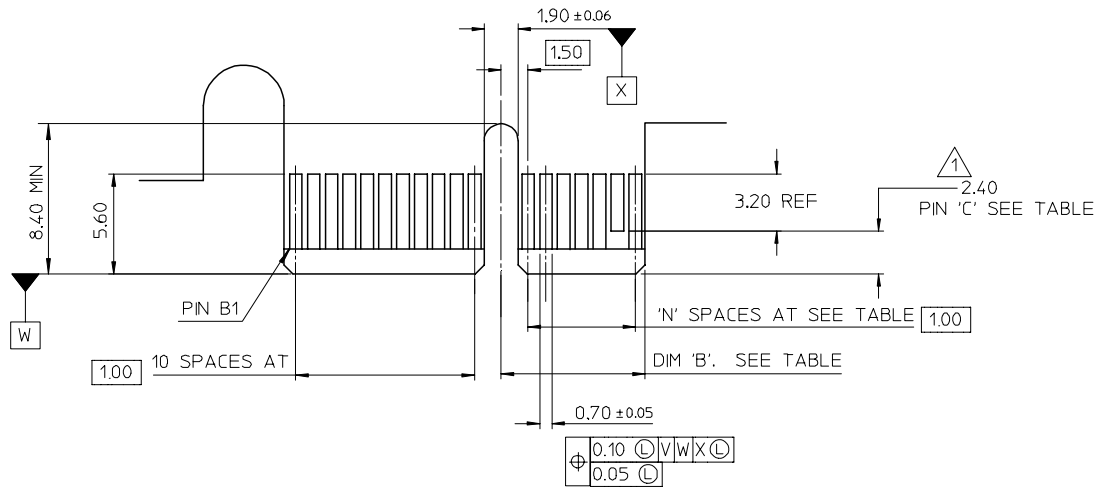
E

D

C

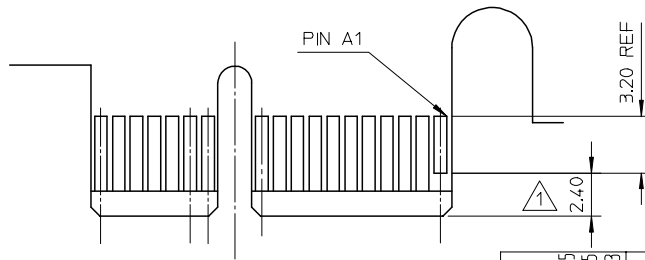
B

A



← I/O PANEL DIRECTION

PRIMARY (COMPONENT) SIDE



I/O PANEL DIRECTION →

SECONDARY (SOLDER) SIDE

- 1 NO TIE BAR PERMITTED FROM CARD EDGE TO LEADING EDGE OF PAD FOR PINS A1 AND "C".
- 2 CHAMFER EDGES MUST BE FREE OF CUTTING BURRS.
- 3 TOLERANCE: .XX±.13

CONNECTOR LINK WIDTH	# POS REF	N	DIM 'B'	'C' 1
X1	36	6	8.15	B17
X16	164	70	72.15	B17, B31 B48,B81

NEW RELEASE EC NO: SH2008-0170 DRWN:DRU CHK:AROST APPR:HWANG	2007/10/15 2007/10/15 2007/10/15 2007/11/13	DESCRIPTION REV	QUALITY SYMBOLS	GENERAL TOLERANCES (UNLESS SPECIFIED)	DIMENSION STYLE	SCALE	DESIGN UNITS	THIRD ANGLE PROJECTION	
			▼=0 ▽=0	mm INCH 4 PLACES ± --- ± --- 3 PLACES ± --- ± --- 2 PLACES ± 0.25 ± --- 1 PLACE ± 0.25 ± --- ANGULAR ± 3 °	MM ONLY		METRIC		
					DRAWN BY DATE	TITLE			
					CHECKED BY DATE				
				APPROVED BY DATE					
				JENNY CHEN 2007/05/14					
				MATERIAL NO.	SEE TABLE	DOCUMENT NO.			
						SD-87715-901			
				DRAFT WHERE APPLICABLE MUST REMAIN WITHIN DIMENSIONS	SIZE A3	THIS DRAWING CONTAINS INFORMATION THAT IS PROPRIETARY TO MOLEX INCORPORATED AND SHOULD NOT BE USED WITHOUT WRITTEN PERMISSION		SHEET NO. 3 OF 4	

9 8 7 6 5 4 3 2 1

F

E

D

C

B

A

MOLEX P/N	CIRCUIT SIZE	HOUSING MATERIAL	HOUSING COLOR	TERMINAL MATERIAL	CONTACT PLATING	SOLDER TAIL 'D' LENGTH	PEG 1	PEG 2	DESCRIPTION
87715-9000					GOLD FLASH				
87715-9001					10 MICRONCH	2.54			
87715-9002					15 MICRONCH				
87715-9003					GOLD FLASH				
87715-9004	36	NYLON46	BLACK	PHOSPHOR BRONZE	10 MICRONCH	3.00			TOOLED
87715-9005					15 MICRONCH				
87715-9006					30 MICRONCH	2.54			
87715-9009					30 MICRONCH	3.00			
87715-9010					GOLD FLASH				
87715-9011					10 MICRONCH	2.54			
87715-9012					15 MICRONCH				
87715-9013					GOLD FLASH				
87715-6014	36	NYLON46	WHITE	PHOSPHOR BRONZE	10 MICRONCH	3.00			TOOLED
87715-9015					15 MICRONCH				
87715-9016					30 MICRONCH	2.54			
87715-9020					GOLD FLASH				
87715-9021					10 MICRONCH	2.54			
87715-9022					15 MICRONCH				
87715-9023					GOLD FLASH		WITH	WITH	UNTOOLED
87715-9024	36	NYLON46	BLUE (287U)	PHOSPHOR BRONZE	10 MICRONCH	3.00			
87715-9025					15 MICRONCH				
87715-9026					30 MICRONCH	2.54			
87715-9030					GOLD FLASH				
87715-9031					10 MICRONCH	2.54			
87715-9032					15 MICRONCH				
87715-9033					GOLD FLASH				
87715-9034	36	NYLON46	GREEN (348C)	PHOSPHOR BRONZE	10 MICRONCH	3.00			UNTOOLED
87715-9035					15 MICRONCH				
87715-9036					30 MICRONCH	2.54			
87715-9040					GOLD FLASH				
87715-9041					10 MICRONCH	2.54			
87715-9042					15 MICRONCH				
87715-9043					GOLD FLASH				
87715-9044	36	NYLON46	PURPLE (2736U)	PHOSPHOR BRONZE	10 MICRONCH	3.00			UNTOOLED
87715-9045					15 MICRONCH				
87715-9046					30 MICRONCH	2.54			
87715-0001			BLACK		15 MICRONCH			WITHOUT	TOOLED

MOLEX P/N	CIRCUIT SIZE	HOUSING MATERIAL	HOUSING COLOR	TERMINAL MATERIAL	CONTACT PLATING	SOLDER TAIL 'D' LENGTH	PEG 1	PEG 2	DESCRIPTION
87715-9300					GOLD FLASH				
87715-9301					10 MICRONCH	2.54			
87715-9302					15 MICRONCH				
87715-9303					GOLD FLASH				
87715-9304	164	NYLON46	BLACK	PHOSPHOR BRONZE	10 MICRONCH	3.00			TOOLED
87715-9305					15 MICRONCH				
87715-9306					30 MICRONCH	2.54			
87715-9309					30 MICRONCH	3.00			
87715-9310					GOLD FLASH				
87715-9311					10 MICRONCH	2.54			
87715-9312					15 MICRONCH				
87715-9313					GOLD FLASH				
87715-9314	164	NYLON46	WHITE	PHOSPHOR BRONZE	10 MICRONCH	3.00			TOOLED
87715-9315					15 MICRONCH				
87715-9316					30 MICRONCH	2.54			
87715-9320					GOLD FLASH				
87715-9321					10 MICRONCH	2.54			
87715-9322					15 MICRONCH				
87715-9323					GOLD FLASH		WITH	WITH	UNTOOLED
87715-9324	164	NYLON46	BLUE (287U)	PHOSPHOR BRONZE	10 MICRONCH	3.00			
87715-9325					15 MICRONCH				
87715-9326					30 MICRONCH	2.54			
87715-9330					GOLD FLASH				
87715-9331					10 MICRONCH	2.54			
87715-9332					15 MICRONCH				
87715-9333					GOLD FLASH				
87715-9334	164	NYLON46	GREEN (348C)	PHOSPHOR BRONZE	10 MICRONCH	3.00			UNTOOLED
87715-9335					15 MICRONCH				
87715-9336					30 MICRONCH	2.54			
87715-9340					GOLD FLASH				
87715-9341					10 MICRONCH	2.54			
87715-9342					15 MICRONCH				
87715-9343					GOLD FLASH				
87715-9344	164	NYLON46	PURPLE (2736U)	PHOSPHOR BRONZE	10 MICRONCH	3.00			UNTOOLED
87715-9345					15 MICRONCH				
87715-9346					30 MICRONCH	2.54			

NEW RELEASE EC NO: SH2008-0170 DRWN:DHU 2007/10/15 CHK:AROST ZHANG 2007/10/15 APPR:HWANG 2007/11/13	QUALITY SYMBOLS	GENERAL TOLERANCES (UNLESS SPECIFIED)	DIMENSION STYLE	SCALE	DESIGN UNITS	THIRD ANGLE PROJECTION	
	$\nabla = 0$ $\nabla \square = 0$	mm      INCH 4 PLACES ± --- ± --- 3 PLACES ± --- ± --- 2 PLACES ± 0.25 ± --- 1 PLACE ± 0.25 ± --- ANGULAR ± 3 °	MM ONLY	DRAWN BY      DATE DAVID HU      2007/05/14 CHECKED BY      DATE HARVEY      2007/05/14 APPROVED BY      DATE JENNY CHEN      2007/05/14		METRIC	PCI EXPRESS EDGE CARD CONNECTOR (LEAD FREE VERSION)
		DRAFT WHERE APPLICABLE MUST REMAIN WITHIN DIMENSIONS	SEE TABLE	MOLEX INCORPORATED SD-87715-901		SHEET NO.	4 OF 4
				THIS DRAWING CONTAINS INFORMATION THAT IS PROPRIETARY TO MOLEX INCORPORATED AND SHOULD NOT BE USED WITHOUT WRITTEN PERMISSION			
	A	REV					